

Bellows Suction Cups FSGA (1.5 Folds) from Ø 110 mm

Suction area (Ø) 110 mm and 150 mm



Suitability for industry specific applications

Application

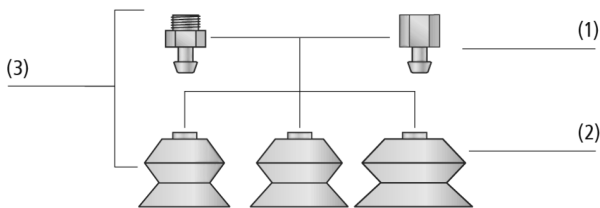
- Round bellows suction cup with 1.5 folds for handling of cardboard, sheet metal and wood
- Handling of large and heavy workpieces which can easily get damaged (optimal adaptation to convex surfaces)



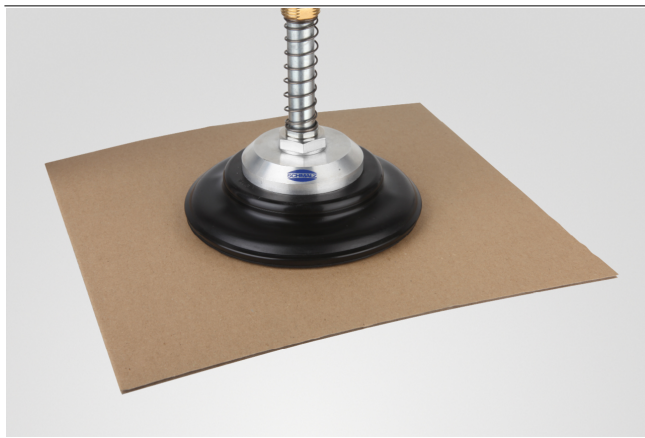
Bellows Suction Cups FSGA (1.5 Folds) from Ø 110 mm

Design

- Robust and wear-resistant suction cup FSGA (3) with single sealing lip, consisting of suction cup FGA (2) with 1.5 folds and connection plate (1)
- Connection plate is screwed to suction cup FGA. Suction cup FGA can be replaced separately when worn
- Suction cups with supports on the bottom
- With each nipple family, the replacement cups and nipples can be combined as desired



System design Bellows Suction Cups FSGA (1.5 Folds) from Ø 110 mm



Bellows suction cups FSGA being used for handling pressed wooden boards

Product highlights

- Large diameters for large, heavy, but also sensitive workpieces
- Soft, tapered sealing lip adapts optimally to curved surfaces
- 1.5 folds ensure high suction force and effective damping during placement on workpiece
- High stiffness of the upper fold provides stability under horizontal forces and high accelerations

Bellows Suction Cups FSGA (1.5 Folds) from Ø 110 mm

Suction area (Ø) 110 mm and 150 mm

Designation code Bellows Suction Cups FSGA (1.5 Folds) from Ø 110 mm

FSGA	–	110	–	NBR-70	–	G1/2-IG
1		2		3		4

1 – Abbreviated designation

Code	Version
FSGA	1.5 folds

2 – Suction area

Code	Diameter in mm
110...150	Ø 110 and 150

3 – Material

Code	Material
NBR-70	Nitrile caoutchuc
SI-55	Silicone
SI-70	Silicone

4 – Connection

Code	Connection
G1/2-IG	G1/2-IG (IG = female (F))

Suction cup FSGA (elastomer part + connection nipple) is delivered assembled. The assembly consists of:

- Suction cup of type FGA – elastomer part, available in the diameters 110 mm and 150 mm and various materials
- Connection nipple of type SA-NIP – available with various threads

Available spare parts: suction cup FGA, connection nipple SA-NIP

Ordering data Bellows Suction Cups FSGA (1.5 Folds) from Ø 110 mm

Type			Suction cup material with ShA: *		
			NBR-70	SI-55	SI-70
FSGA	110	G1/2-IG	10.01.06.00118	10.01.06.00119	-
FSGA	150	G1/2-IG	10.01.06.00120	-	10.01.06.00121

*Additional material specifications at beginning of the section "Vacuum Suction Cups"

Ordering data Spare parts Bellows Suction Cups FSGA (1.5 Folds) from Ø 110 mm

Type	Spare parts		Part no.
FSGA 110 NBR-70 G1/2-IG	Bellows suction cup (round)	FGA 110 NBR-70 N010	10.01.06.00114
FSGA 110 SI-55 G1/2-IG	Bellows suction cup (round)	FGA 110 SI-55 N010	10.01.06.00115
FSGA 150 NBR-70 G1/2-IG	Bellows suction cup (round)	FGA 150 NBR-70 N010	10.01.06.00116
FSGA 150 SI-70 G1/2-IG	Bellows suction cup (round)	FGA 150 SI-70 N010	10.01.06.00117

Type	Spare parts		Part no.
FSGA 110	Suction cup connection nipple (inst)	SA-NIP N010 G1/2-IG	10.01.01.00796
FSGA 150	Suction cup connection nipple (inst)	SA-NIP N010 G1/2-IG	10.01.01.00796

Technical data Bellows Suction Cups FSGA (1.5 Folds) from Ø 110 mm

Type	Suction force (-600 mbar) [N]*	Pull-off force [N]	Volume [cm³]	Workpiece radius min. (convex) [mm]	Hose inner diameter (recom.) d [mm]**	Nipple family
FSGA 110	280	570	330	85	12	N 010
FSGA 150	570	1,000	800	250	12	N 010

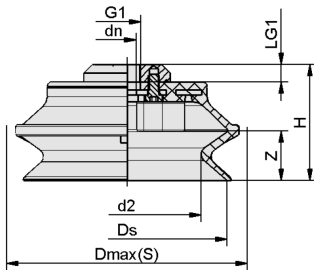
*The specified suction forces are theoretical values at a vacuum of -0.6 bar and with a smooth, dry workpiece surface - they do not include a safety factor

**The recommended hose diameter is based on a hose length of approx. 2 m

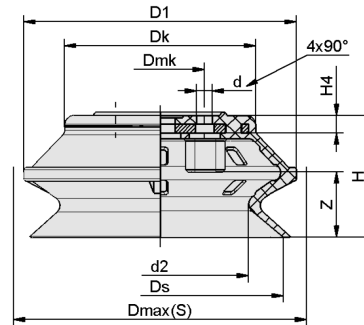
Bellows Suction Cups FSGA (1.5 Folds) from \varnothing 110 mm

Suction area (\varnothing) 110 mm and 150 mm

Design data Bellows Suction Cups FSGA (1.5 Folds) from \varnothing 110 mm



FSGA



FGA

Bellows Suction Cups FSGA (1.5 Folds) from Ø 110 mm

Suction area (Ø) 110 mm and 150 mm

Design data Bellows Suction Cups FSGA (1.5 Folds) from Ø 110 mm

Type*	dn [mm]	d2 [mm]	Dmax(S) [mm]**	Ds [mm]	G1	H [mm]	LG1 [mm]	Z (Stroke) [mm]
FSGA 110 NBR-70 G1/2-IG	13.5	80	130	111	G1/2"-F	69.5	13	30
FSGA 110 SI-55 G1/2-IG	13.5	80	130	111	G1/2"-F	69.5	13	30
FSGA 150 NBR-70 G1/2-IG	13.5	111	177	150	G1/2"-F	88.5	13	38
FSGA 150 SI-70 G1/2-IG	13.5	111	177	150	G1/2"-F	88.5	13	38

*Acceptable dimensional tolerances for rubber parts concerning to DIN ISO 3302-1 E3

**External dimension of the suction cup when it is pressed against the workpiece by the vacuum

Type*	d [mm]	d2 [mm]	D1 [mm]	Dk [mm]	Dmax(S) [mm]**	Dmk [mm]	Ds [mm]	H [mm]	H4 [mm]	Z (Stroke) [mm]	
FGA	110	7	80	123	86	130	40	111	55.0	8.0	29.5
FGA	150	7	111	168	120	177	40	150	74.0	10.0	37.0

*Acceptable dimensional tolerances for rubber parts concerning to DIN ISO 3302-1 E3

**External dimension of the suction cup when it is pressed against the workpiece by the vacuum